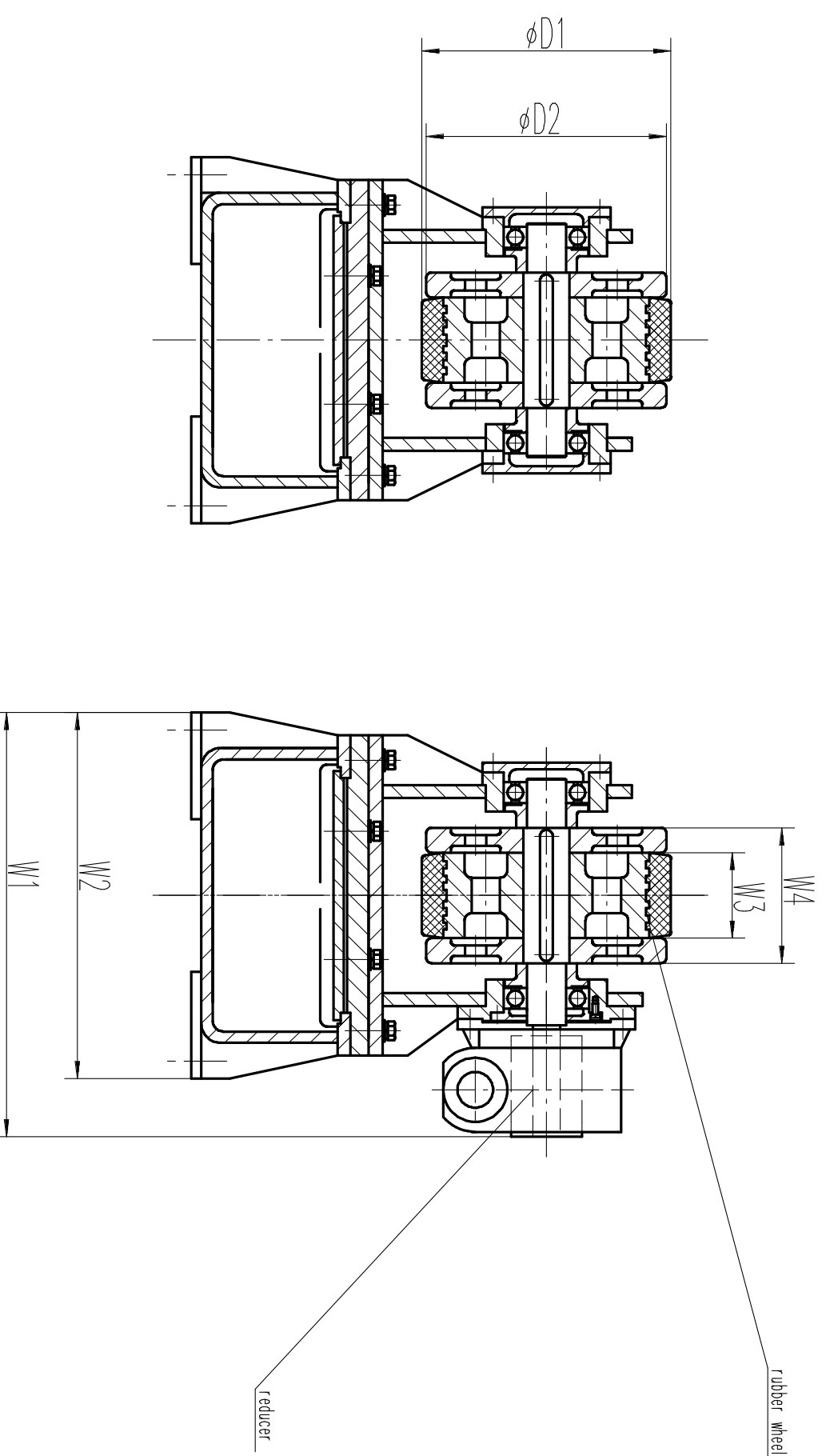


DIM	WR5	WR10	WR20	WR40	WR60	WR80	WR100
L1	2000	2950	3100	3300	3800	4350	5380
L2	1374	2400	2500	2600	2950	3000	4400
H	451	552	607	720	755	840	900
W1	500	610	675	700	870	900	970
W2	320	370	450	540	570	700	720
W3	100	120	120	120	120	120	120
W4	140	170	190	210	220	240	280
D1	250	300	350	400	450	500	500
D2	240	290	340	390	440	490	490
L3	290	520	560	700	700	700	800
L4	1010	1960	2000	2000	2300	2300	3600
ϕd	150	250	250	250	250	300	700
ϕD	3200	4000	4000	4000	5200	5200	6000

WR#: ## index tons value



Index	WR3-100	Index	WR3-100
Drawn		Checked	
Design		Examined	
Standard		Approval	
Date		Date	
overall drawing		WR3-100	
Drawing marking, unit, weight, scale		Drawing marking, unit, weight, scale	
Total: (page)		Page:	